

Advanced Super Capacitor Integrated Electric Bus for Next Generation Public Transport Applications

Swapnil P. Asare¹, Dr. Nilesh P. Bodne², Dr. Saurabh V. Lawate³

P.G. (M. Tech) Student, Department of Electrical Engineering (P.E.P.S), Vidarbha Institute of Technology, Nagpur,
(MH), India¹

Head of Department, Electronics and Communication Engineering, Vidarbha Institute of Technology, Nagpur,
(MH), India²

Assistant Professor, Department of Electrical Engineering (P.E.P.S), Vidarbha Institute of Technology, Nagpur,
Maharashtra, India³

ABSTRACT: The increasing demand for sustainable urban transportation and the rapid depletion of fossil fuels have accelerated the development of advanced electric public transportation systems. Conventional battery-powered electric buses suffer from limitations such as long charging times, reduced lifecycle, thermal instability, and limited regenerative braking efficiency. To overcome these issues, Advanced Super Capacitor Integrated Electric Bus systems have emerged as a promising next-generation transportation technology. Super capacitors provide ultra-fast charging capability, high power density, long operational life, and efficient energy recovery during regenerative braking. This paper presents a comprehensive study on the design, working principle, energy management, charging infrastructure, applications, advantages, limitations, and future scope of advanced super capacitor integrated electric buses. The development of the Advanced Super Capacitor Integrated Electric Bus for Next Generation Public Transport Applications & Super Capacitor Based Bus system stems from a pressing need to address the myriad challenges facing urban transportation networks worldwide. As cities continue to grow and expand, the detrimental effects of traffic congestion, environmental pollution, and energy inefficiency have become increasingly pronounced. This necessitates the adoption of innovative and sustainable solutions that can mitigate these challenges while ensuring the seamless mobility of urban populations. The Super Capacitor Based Bus system aims to be at the forefront of this transformation by harnessing advanced supercapacitor technology to revolutionize the way public transportation operates.

KEYWORDS: Super Capacitor, Electric Bus, Smart Transportation, Energy Storage System, Regenerative Braking, Fast Charging, Sustainable Mobility, Smart City.

I. INTRODUCTION

Moreover, the motivation behind the Advanced Super Capacitor Integrated Electric Bus for Next Generation Public Transport Applications system lies in its potential to usher in a new era of cleaner, greener, and more efficient mass transit systems. By reducing reliance on fossil fuels and minimizing greenhouse gas emissions, the system not only contributes to environmental sustainability but also enhances public health and quality of life in urban areas. Additionally, the adoption of cutting-edge components and energy management algorithms signifies a commitment to technological innovation and progress in the field of urban transportation. Ultimately, the motivation behind the Super Capacitor Based Bus system is rooted in the collective pursuit of creating smarter, more sustainable cities for generations to come.

The study also incorporates recent literature findings related to ultra-fast charging systems, advanced energy storage structures, intelligent energy management strategies, and simulation frameworks for electric buses. The proposed system aims to provide an energy-efficient, environmentally friendly, and sustainable solution for future smart city transportation networks.

Urban transportation systems worldwide are facing severe challenges due to increasing traffic congestion, greenhouse gas emissions, fossil fuel dependency, and environmental pollution. Conventional diesel-powered buses significantly contribute to air pollution and climate change. Electric buses have emerged as an alternative solution for sustainable transportation; however, battery-powered electric buses face several operational limitations including long charging duration, battery degradation, thermal instability, and limited charging cycles.

To overcome these limitations, researchers and industries are focusing on advanced super capacitor technology for electric transportation systems. Super capacitors, also known as ultracapacitors, are electrochemical energy storage devices capable of delivering high power density and rapid charging-discharge cycles. Unlike conventional batteries, super capacitors possess extremely long lifecycle performance and can efficiently capture regenerative braking energy.

The Advanced Super Capacitor Integrated Electric Bus system utilizes super capacitors as the primary or auxiliary energy storage system for urban transportation applications. The bus is equipped with:

- Super capacitor energy storage banks
- Electric traction motors
- Bidirectional power converters
- Regenerative braking systems
- Fast charging infrastructure
- Intelligent energy management systems
- Sensor-based safety mechanisms

The integration of super capacitors with electric buses significantly improves transportation efficiency, charging speed, energy recovery, operational reliability, and environmental sustainability.

This paper presents a detailed investigation into the design and implementation of super capacitor integrated electric bus systems for next-generation public transport applications.

II. LITERATURE SURVEY

2.1. Ultra-Fast Charging Infrastructure

Fernando Ortenzi, Manlio Pasquali, and Pier Paolo Prosini (2019) proposed an innovative ultra-fast charging infrastructure using super capacitors for urban electric buses. The system delivers 180 kW charging power within 30 seconds without using DC-DC converters. Experimental validation demonstrated the effectiveness of rapid charging systems for public transportation applications.

2.2. Next-Generation Super Capacitor Structures

Juho Sung and Changhwan Shin (2020) studied advanced super capacitor structures and classifications including electrochemical double-layer capacitors, pseudocapacitors, and hybrid super capacitors. Their research highlighted the importance of advanced materials and structural modifications for improving capacitance and energy storage performance.

2.3. Energy Management Strategies

Baode Lin (2021) developed an energy management strategy based on a phase-shifted full-bridge converter for super capacitor energy storage systems. The proposed method improved energy conversion efficiency, State of Charge (SOC) management, and bidirectional power flow control.

2.4. Regenerative Energy Storage Applications

Martin Makar, Luka Pravica, and Martina Kutija (2022) investigated super capacitor-based regenerative energy storage systems in elevators. Their work demonstrated the effectiveness of super capacitors in storing regenerative braking energy and improving energy efficiency.

2.5. Electric Bus Simulation Framework

Vladimir Momcilovic, Branka Dimitrijevic, and Marko Stokic (2023) proposed a simulation framework for super capacitor electric buses to analyze operational performance under real-world conditions such as weather, traffic, road gradients, and driving patterns.

The literature survey indicates that super capacitor technology has significant potential for future electric transportation systems.

III. METHODOLOGY

The major objectives of the research on Advanced Super Capacitor Integrated Electric Bus for Next Generation Public Transport Applications are:

- To design an advanced super capacitor integrated electric bus system.
- To develop ultra-fast charging infrastructure for urban transportation.
- To improve regenerative braking efficiency and energy recovery.
- To reduce greenhouse gas emissions and fossil fuel dependency.
- To enhance energy management and operational reliability.
- To analyze system performance under real-world transportation conditions.
- To improve passenger safety and urban mobility.
- To support sustainable smart city transportation systems.

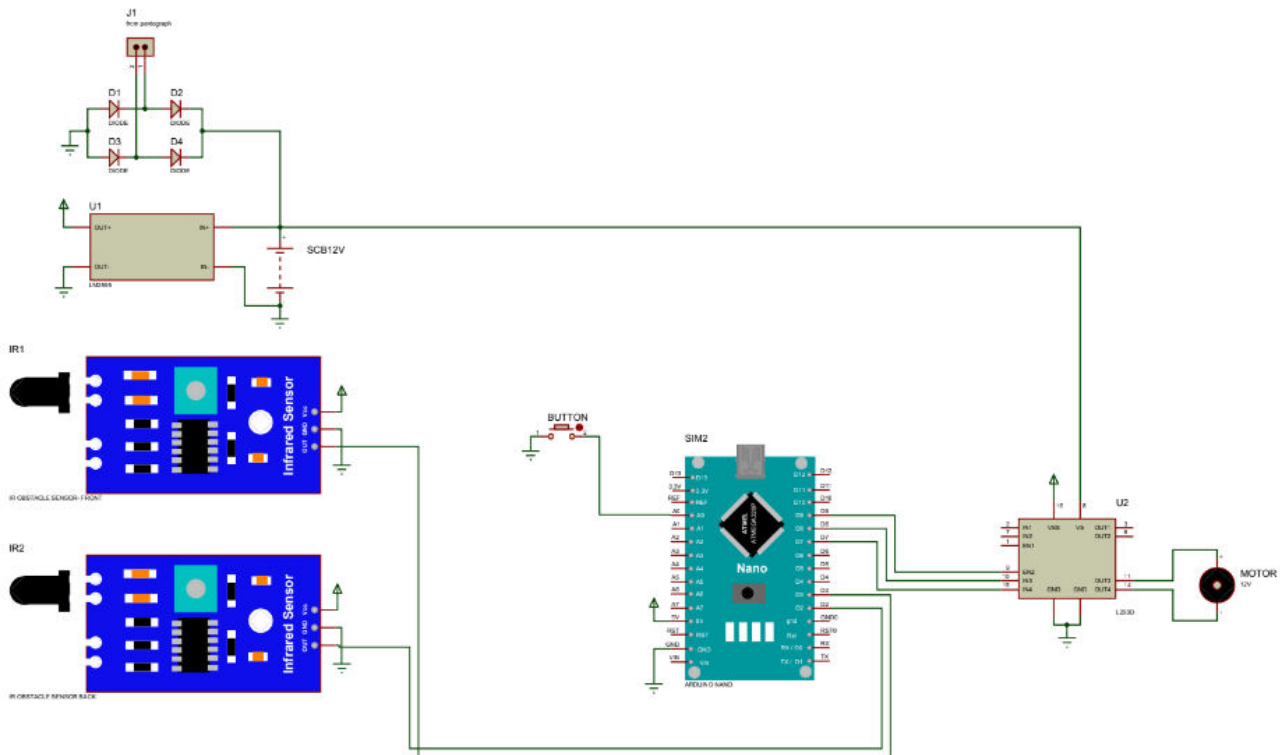


Fig.3.1. Circuit Diagram of Advanced Super Capacitor Integrated Electric Bus for Next Generation Public Transport Applications

3.1 System Methodology

The **Advanced Super Capacitor Integrated Electric Bus System** is designed to improve the efficiency, sustainability, and operational reliability of next-generation urban public transportation systems. The methodology adopted for this research includes dataset collection, system design, simulation, implementation, testing, and performance evaluation of the electric bus system integrated with super capacitor technology.

The complete methodology is divided into four major stages:

- ✓ Dataset Collection and Analysis
- ✓ Tools and Technology Selection
- ✓ System Implementation
- ✓ Performance Evaluation and Result Analysis

3.2. Dataset Collection and Analysis

A comprehensive dataset was developed to evaluate the operational performance and energy management characteristics of the proposed electric bus system. The dataset includes multiple parameters associated with energy consumption, environmental conditions, sensor outputs, operational scenarios, and system performance.

3.2.1. Energy Consumption Dataset

Energy consumption data was collected during different operating conditions including:

- Vehicle acceleration
- Deceleration
- Cruising operation
- Idle condition
- Regenerative braking

3.2.2. Sensor Dataset

The sensor dataset consists of data collected from:

- Infrared (IR) sensors
- Voltage sensors
- Current sensors
- Temperature sensors
- Speed sensors

3.2.3. Environmental Dataset

Environmental parameters affecting transportation efficiency were also included in the dataset:

- Ambient temperature
- Humidity
- Air quality
- Noise level
- Weather conditions

3.2.4. Operational Dataset

Operational datasets include:

- Traffic density
- Passenger load conditions
- Road gradients
- Driving patterns
- Urban route characteristics

3.2.5. Performance Metrics Dataset

The following performance metrics were analyzed:

- Energy efficiency
- Charging time
- Acceleration time
- Braking distance
- Regenerative energy recovery
- Passenger comfort index
- System reliability

3.2.6. Hardware Components

- ✦ **Super Capacitor Bank** : High-capacity super capacitors are used as the primary energy storage system for rapid charging and energy recovery.
- ✦ **Electric Traction Motor** : Electric motors are utilized for vehicle propulsion and regenerative braking operations.
- ✦ **Arduino Nano Controller** : The Arduino Nano microcontroller acts as the central control unit for: Sensor integration , Motor control , Charging management , Energy flow regulation
- ✦ **IR Sensors** : Infrared sensors are used for obstacle detection and collision avoidance applications.
- ✦ **Bidirectional DC/DC Converter** : The converter regulates bidirectional energy transfer between the super capacitor bank and the electric motor system.
- ✦ **LM2595 Voltage Regulator** : LM2595 converters provide stable voltage regulation for electronic components.

3.2.7. Software Platforms

- **Arduino IDE** : Arduino IDE is used for programming and debugging the microcontroller using C/C++ language.
- **MATLAB/Simulink** : MATLAB/Simulink is utilized for: System modeling, Energy management simulation , Performance analysis , Control system optimization

3.2.8. LTspice : LTspice software is used for: Converter circuit simulation, Electrical analysis Power system validation, Programming Languages : Programming languages used include: C , C++ , Python These languages support control system development, simulation, data processing, and visualization.

3.3. Regenerative Braking System

Regenerative braking is one of the most important features of super capacitor buses. In conventional braking systems, kinetic energy is wasted in the form of heat. In regenerative braking systems, the traction motor. The energy management system continuously monitors charging, discharging, motor control, and passenger safety.

3.4. Charging Infrastructure

- ✓ **Fast Charging Stations** : Super capacitor buses utilize ultra-fast charging stations installed at bus stops and depots. Charging times typically range from 30 seconds to 5 minutes.
- ✓ **Opportunity Charging** : Opportunity charging allows the bus to recharge during passenger boarding and unloading operations. This minimizes downtime and improves route efficiency.
- ✓ **Renewable Energy Integration** :Charging stations can be integrated with: Solar photovoltaic systems, Smart grids, Wind energy systems. This supports clean and sustainable transportation infrastructure.

IV. EXPERIMENTAL RESULTS & PERFORMANCE ANALYSIS

The The figure. 4.1 & 4.2 Shows the implementation of the Design and Development of Prototype Super Capacitor Based Smart Electric Bus System for Sustainable Urban Transportation, has yielded promising results in terms of energy efficiency, environmental impact, and overall system performance. Through rigorous testing and validation, the system has demonstrated significant reductions in energy consumption compared to traditional fossil fuel-powered buses. The utilization of super capacitor technology for energy storage, coupled with smart energy management algorithms, has enabled efficient capture and utilization of energy during bus operations, resulting in lower operating costs and reduced greenhouse gas emissions. Additionally, the integration of regenerative braking systems has allowed the bus to recover kinetic energy during deceleration, further enhancing energy efficiency and sustainability.

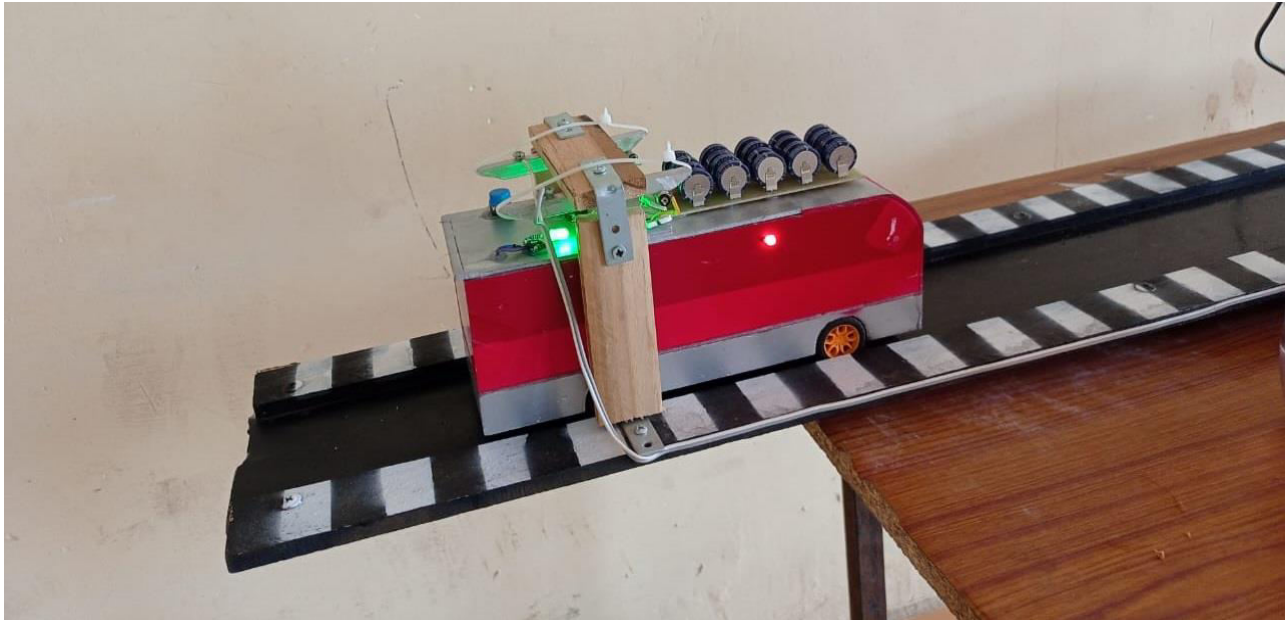


Figure.4.1: The implementation of the Design and Development Advanced Super Capacitor Integrated Electric Bus for Next Generation Public Transport Applications

V. CONCLUSION

The Advanced Super Capacitor Integrated Electric Bus system represents a revolutionary advancement in next-generation public transportation technology. The integration of super capacitors with electric transportation systems provides ultra-fast charging, efficient regenerative braking, long operational life, and environmentally friendly operation. The prototype system effectively addresses major challenges associated with conventional battery-powered electric buses, including long charging time, battery degradation, and limited charging cycles.

Furthermore, intelligent energy management strategies and fast charging infrastructure significantly improve transportation efficiency and operational reliability. Although certain limitations such as low energy density and infrastructure cost still exist, continuous advancements in energy storage materials, power electronics, and smart transportation technologies are expected to overcome these challenges in the future.

The and Development of Prototype Super Capacitor Based Smart Electric Bus System for Sustainable Urban Transportation system represents a revolutionary advancement in modern transportation engineering. The technology offers ultra-fast charging capability, high power density, efficient regenerative braking, low maintenance, and environmentally friendly operation. The integration of super capacitor technology into urban transportation systems can significantly reduce greenhouse gas emissions, fuel dependency, and environmental pollution while improving operational efficiency and passenger comfort. Although certain limitations such as low energy density and infrastructure costs remain, continuous advancements in energy storage technology and smart transportation systems are expected to overcome these challenges in the near future. The proposed system provides an effective solution for sustainable public transportation and supports the development of cleaner, smarter, and greener cities.

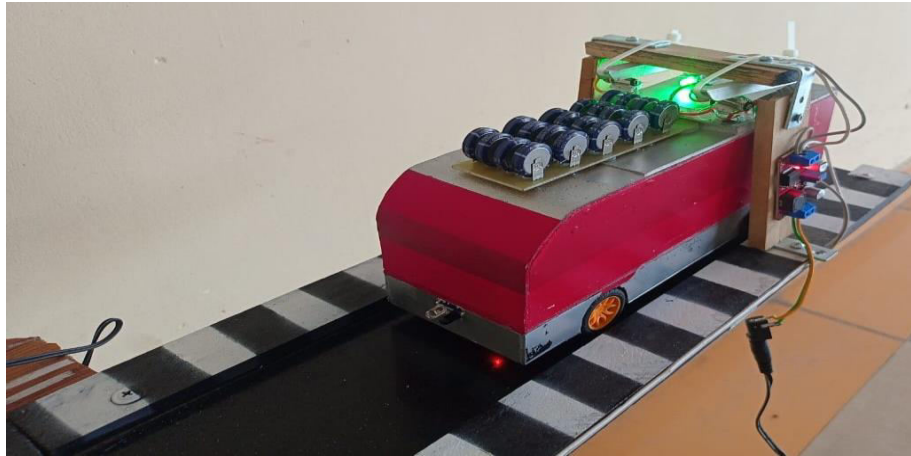


Figure.4.2: The implementation of the Design and Development Advanced Super Capacitor Integrated Electric Bus for Next Generation Public Transport Applications

REFERENCES

- [1] H. Yu, F. Cheli, and F. Castelli-Dezza, "Optimal Design and Control of 4-IWD Electric Vehicles Based on a 14-DOF Vehicle Model," *IEEE Transactions on Vehicular Technology*, vol. 67, no. 11, pp. 10457–10469, Nov. 2018.
- [2] F. Ortenzi, M. P. G. Pede, A. Lidozzi, and M. Di Benedetto, "Ultra-fast charging infrastructure for vehicle on-board ultracapacitors in urban public transportation applications," in *Proc. 31st Int. Electric Vehicles Symp. Exhib. (EVS31)*, Kobe, Japan, Sep. 2018.
- [3] H. Nademi, M. Zadeh, and T. Undeland, "Interfacing an Electric Vehicle to the Grid with Modular Conversion Unit: A Case Study of a Charging Station and its Control Framework," in *Proc. IECON 2018—44th Annu. Conf. IEEE Industrial Electronics Society*, Washington, DC, USA, Oct. 2018, pp. 5171–5176.
- [4] M. Hoffmann, F. P. G. Fengler, B. Max, U. Schroeder, S. Slesazeck, and T. Mikolajick, "Negative Capacitance for Electrostatic Supercapacitors," *Advanced Energy Materials*, vol. 9, no. 27, p. 1901154, 2019.
- [5] R. Heimböckel, F. Hoffmann, and M. Fröba, "Insights into the influence of the pore size and surface area of activated carbons on the energy storage of electric double layer capacitors with a new potentially universally applicable capacitor model," *Physical Chemistry Chemical Physics*, vol. 21, no. 5, pp. 3122–3133, 2019.
- [6] P.-H. Cheng, Y.-T. Yin, I.-N. Tsai, C.-H. Lu, L.-J. Li, S. C. Pan, J. Shieh, M. Shiojiri, and M.-J. Chen, "Negative capacitance from the inductance of ferroelectric switching," *Communications Physics*, vol. 2, no. 1, p. 32, 2019.
- [7] Y. Chen, X. Zhang, C. Xu, and H. Xu, "The fabrication of asymmetry supercapacitor based on MWCNTs/MnO₂/PPy composites," *Electrochimica Acta*, vol. 309, pp. 424–431, 2019.
- [8] A. Magrini, G. Lentini, S. Cuman, A. Bodrato, and L. Marengo, "From nearly zero energy buildings (NZEB) to positive energy buildings (PEB): The next challenge—The most recent European trends with some notes on the energy analysis of a forerunner PEB example," *Developments in the Built Environment*, vol. 3, p. 100019, 2020.
- [9] T. Wilberforce, A. G. Olabi, E. T. Sayed, K. Elsaid, H. M. Maghrabie, and M. A. Abdelkareem, "A review on zero energy buildings—Pros and cons," *Energy and Built Environment*, vol. 2, no. 3, pp. 300–315, 2021.
- [10] M. Makar, M. Kutija, L. Pravica, and F. Jukić, "DC/DC Converter Topologies for Elevator Energy Storage Systems Based on Supercapacitors," in *Proc. Int. Conf. Electrical Drives & Power Electronics (EDPE)*, Dubrovnik, Croatia, Sep. 2021, pp. 220–227.
- [11] M. Kutija, L. Pravica, D. Godec, and D. Erica, "Regenerative energy potential of roped elevator systems—A case study," in *Proc. IEEE 19th Int. Power Electronics Motion Control Conf. (PEMC)*, Gliwice, Poland, Apr. 2021, pp. 284–291.
- [12] J. H. Ang, Y. Yusup, S. A. Zaki, A. Salehabadi, and M. I. Ahmad, "Comprehensive Energy Consumption of Elevator Systems Based on Hybrid Approach of Measurement and Calculation in Low- and High-Rise Buildings of Tropical Climate towards Energy Efficiency," *Sustainability*, vol. 14, no. 8, p. 4779, 2022.
- [13] D. Huang et al., "A two-stage stochastic programming model of coordinated electric bus charging scheduling for a hybrid charging scheme," *Multimodal Transportation*, vol. 1, no. 1, 2022..



INTERNATIONAL
STANDARD
SERIAL
NUMBER
INDIA



INTERNATIONAL JOURNAL OF INNOVATIVE RESEARCH

IN SCIENCE | ENGINEERING | TECHNOLOGY

 9940 572 462  6381 907 438  ijirset@gmail.com



www.ijirset.com

Scan to save the contact details